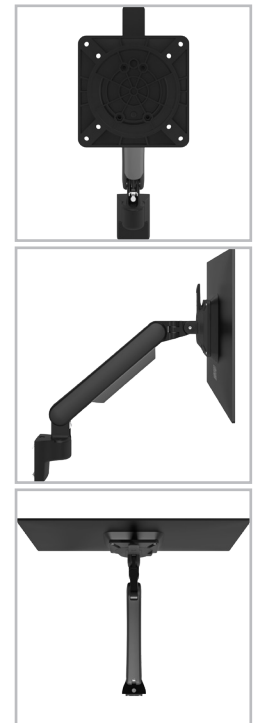
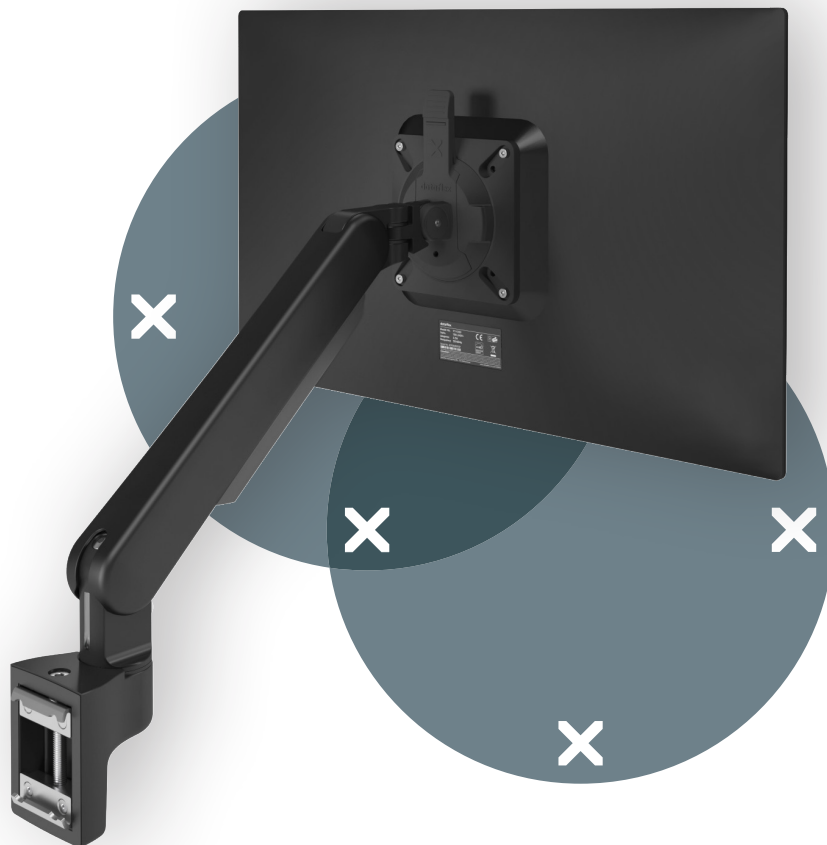


viewprime

Certified  Corporation
Warranty  15 years



65.513

Viewprime plus monitor arm – rail 513

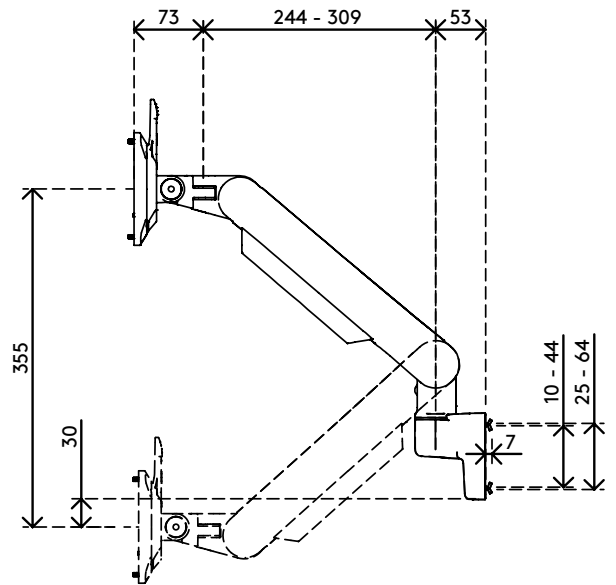
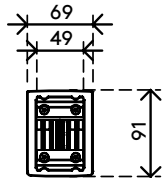
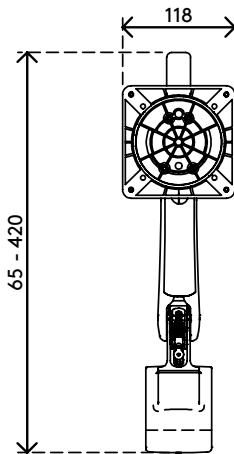
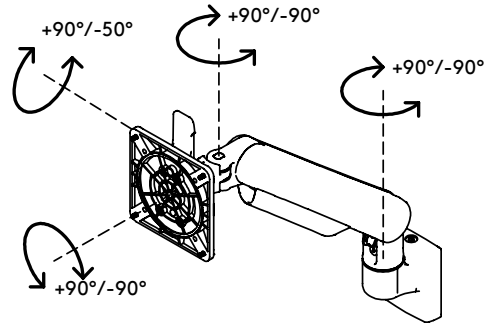
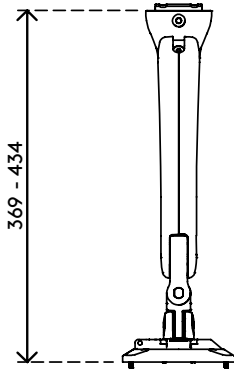
Optimize workspace with this monitor arm that attaches to a slat rail/wall or toolbar. Easy to use and can be placed virtually anywhere thanks to the swivel lock that eliminates the chance of bumping into walls or desks. Cables are neatly hidden in the monitor arm for a professional look.

- Dynamic height adjustment range of 355 mm (14")
- Independent depth adjustment of 309 mm (12,2")
- Comes with a rail mount
- Capable of portrait and landscape orientation ($\pm 90^\circ$ VESA rotation)
- Built-in gas spring
- Tension adjustment indicator for fast and precise installation
- Integrated cable management
- Quick release included
- VESA MIS-D 75 x 75/100 x 100 mm compatible
- Monitor: tilt $+90^\circ/-50^\circ$, swivel $\pm 90^\circ$, rotate $\pm 90^\circ$
- Arm: Swivel lock of arm set at $+90^\circ/-90^\circ$ (can be switched off)
- Weight capacity 1,5 - 9 kg (3,3 - 19,8lb.) per monitor

dataflex 

feeling at work

viewprime ^x



+90°/-50°



+90°/-90°



360°



75 x 75/100 x 100



1,5 - 9 kg (3,3 - 19,8 lb)

Viewprime plus monitor arm – rail 513

2023/08/28


65.513

 595 x 185 x 135 mm

 1 pcs

 black

 2,34 kg

 805410655136