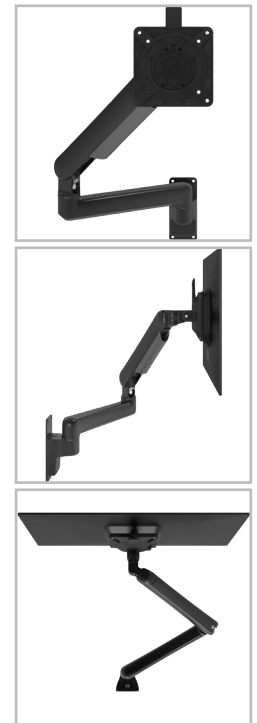
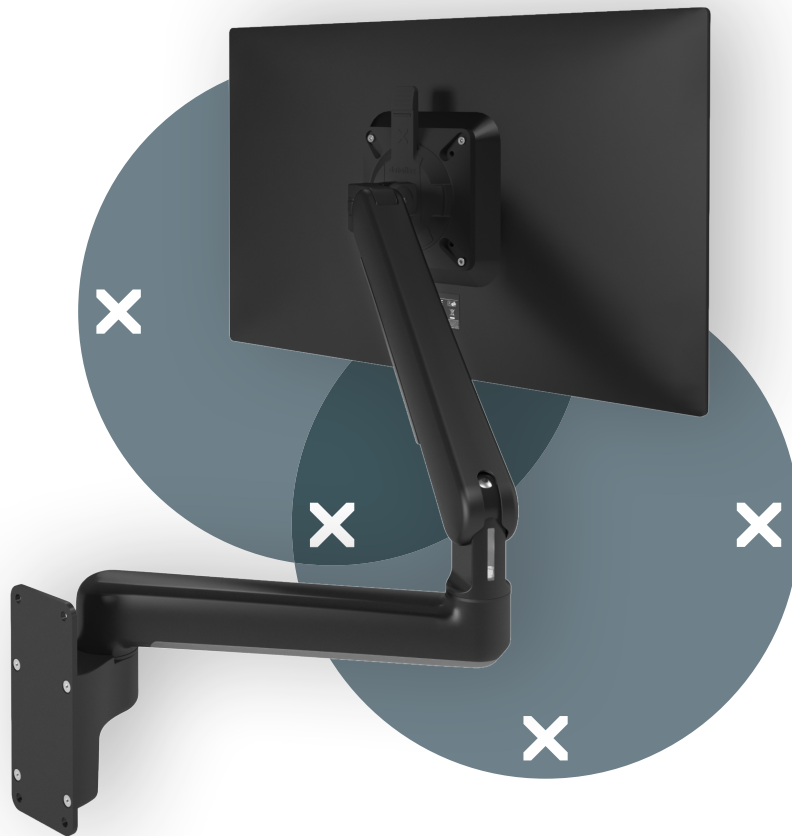


# viewprime <sup>x</sup>

Certified <sup>Warranty</sup>  
**(B)** 15  
Corporation years



65.323

## Viewprime plus monitor arm – wall 323

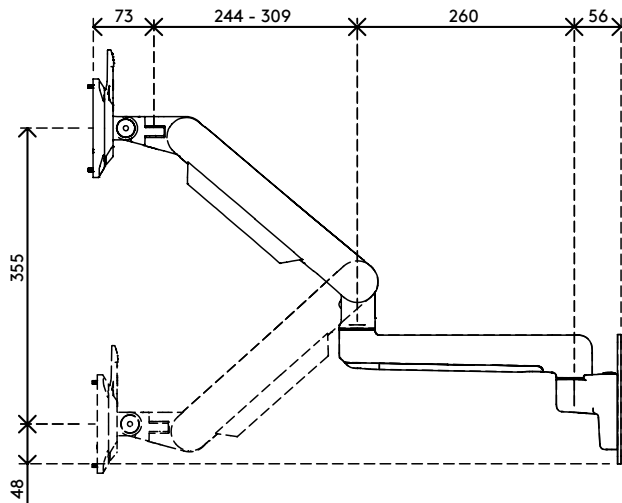
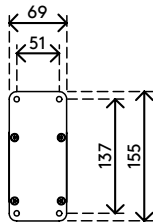
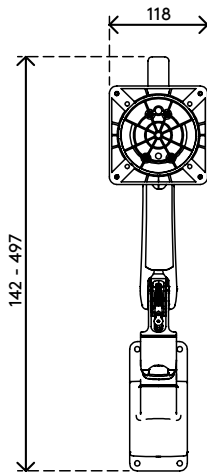
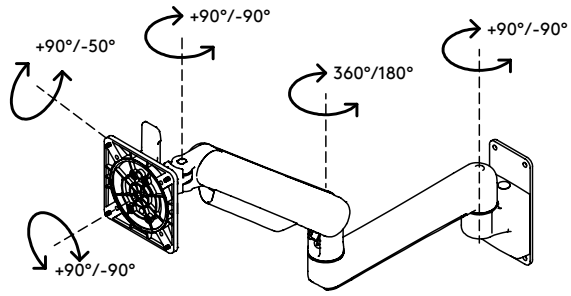
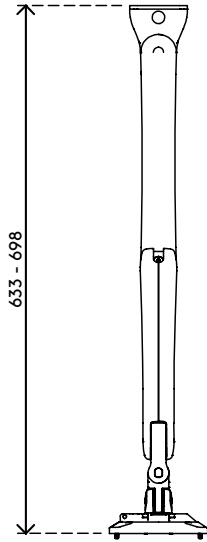
Free up desk space with this wall-mounted gas-sprung monitor arm. The two extensions make this an ideal solution for a deep desk surface because the depth of the monitors can be adjusted independently. Cables are neatly hidden in the monitor arm for a professional look.

- Dynamic height adjustment range of 355 mm (12,2")
- Independent depth adjustment of 569 mm (22,4")
- Comes with a wall mount
- Capable of portrait and landscape orientation ( $\pm 90^\circ$  VESA rotation)
- Built-in gas spring
- Tension adjustment indicator for fast and precise installation
- Integrated cable management
- Quick release included
- VESA MIS-D 75 x 75/100 x 100 mm compatible
- Monitor: tilt  $+90^\circ/-50^\circ$ , swivel  $\pm 90^\circ$ , rotate  $\pm 90^\circ$
- Arm: Swivel lock of arm set at  $+90^\circ/-90^\circ$  (can be switched off)
- Weight capacity 1,5 - 9 kg (3,3 - 19,8lb.) per monitor

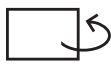
**dataflex** <sup>x</sup>

feeling at work

# viewprime <sup>x</sup>



+90°/-50°



+90°/-90°



360°



75 x 75/100 x 100



1,5 - 9 kg (3,3 - 19,8 lb)

Viewprime plus monitor arm – wall 323

2023/08/28

# 65.323

595 x 185 x 135 mm

1 pcs

black

3,4 kg

805410653231