

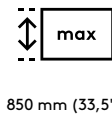
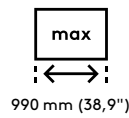
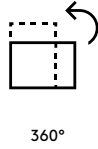
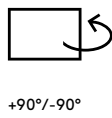
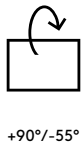
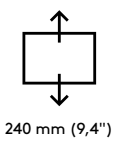
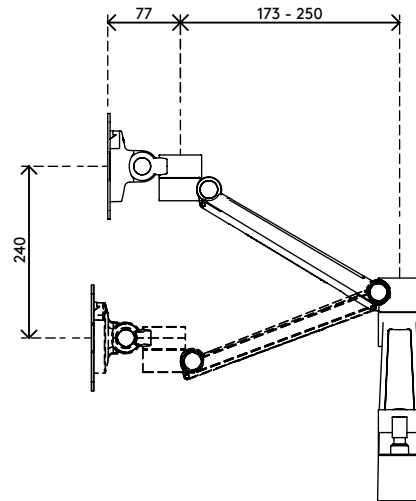
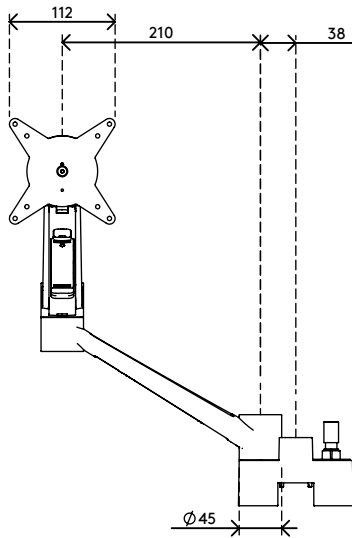
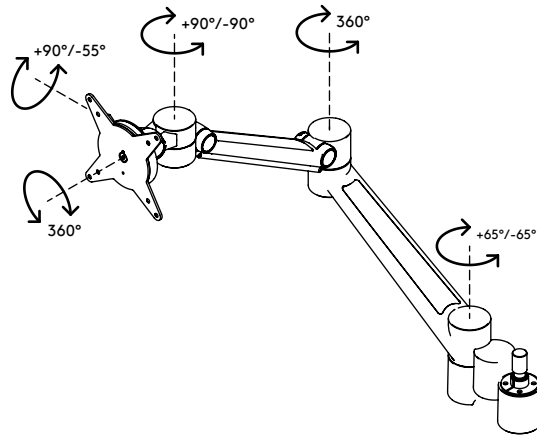
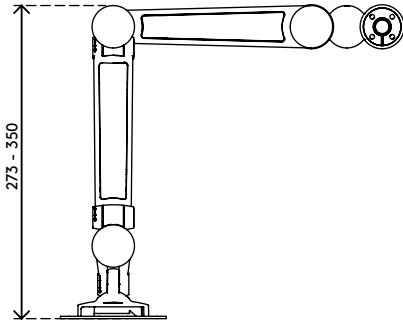
58.602

Viewlite dual monitor arm upgrade kit - option 602

In just a few easy steps upgrade your 'Viewlite plus monitor arm - desk 62' to a 'Viewlite plus monitor arm - desk 65', which mounts two monitors or devices that you can adjust independently in depth and dynamically in height.

- Kit contains a Viewlite dual base adapter and a Viewlite plus monitor arm (Desk mounts not included)
- Monitor: tilt +90°/-55°, swivel +90°/-90°, rotate 360°
- Arm: swivel +65°/-65°
- Swivel limiter pre-set to +65°/-65° (can be set to only +65°)

viewlite X



75 x 75/100 x 100



0 - 7 kg (0 - 15,4 lb)

Viewlite dual monitor arm upgrade kit - option 602

2020/10/06

58.602

375 x 265 x 105 mm

1 pcs

silver-white

2,75 kg

805410586027