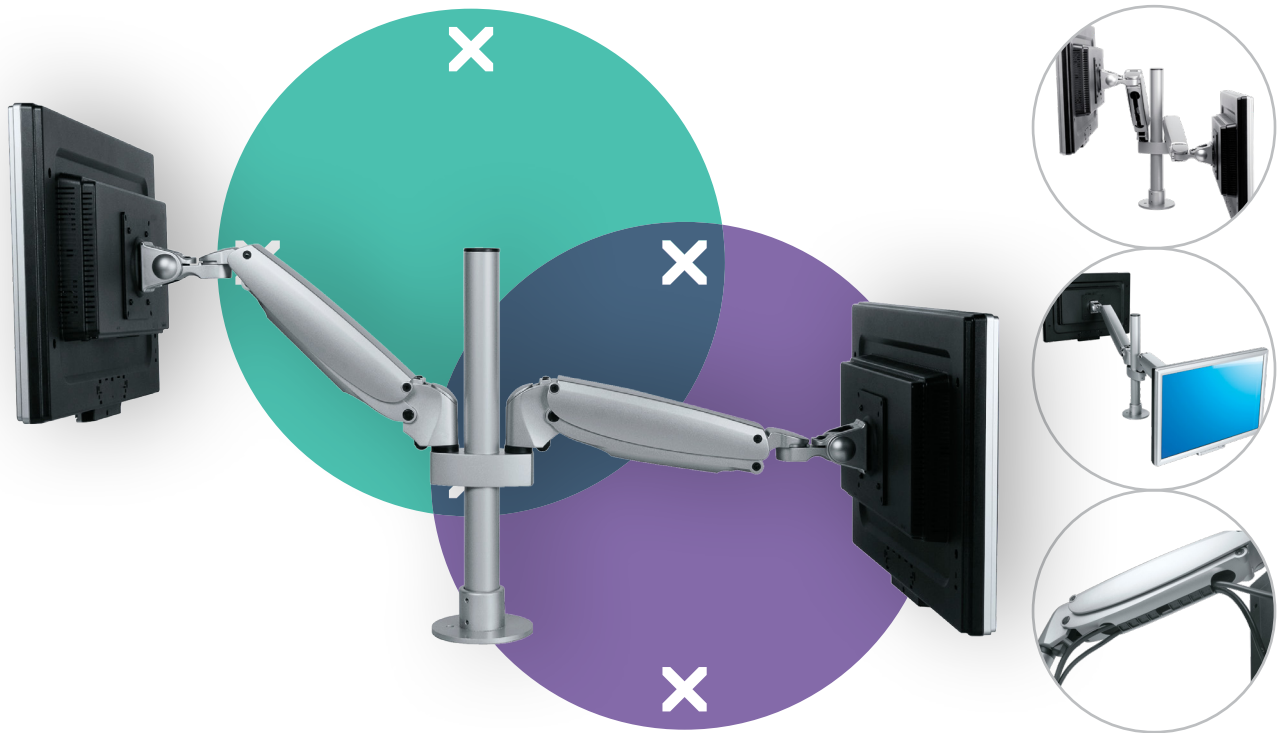


viewmaster^x

Warranty



57.582

Viewmaster monitor arm - desk 582

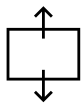
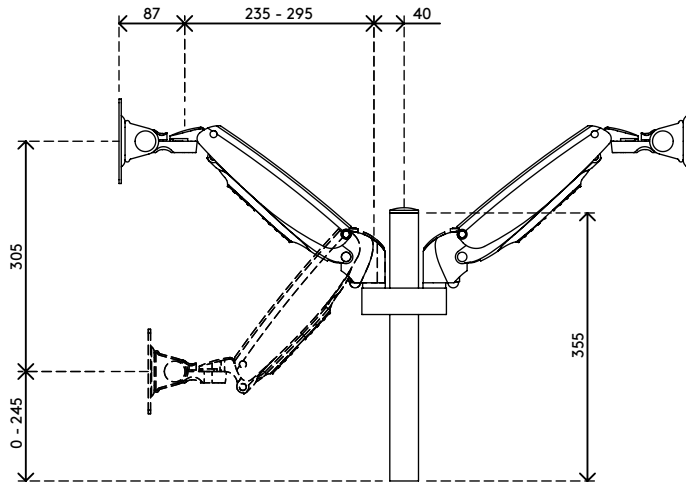
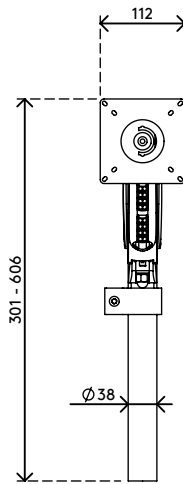
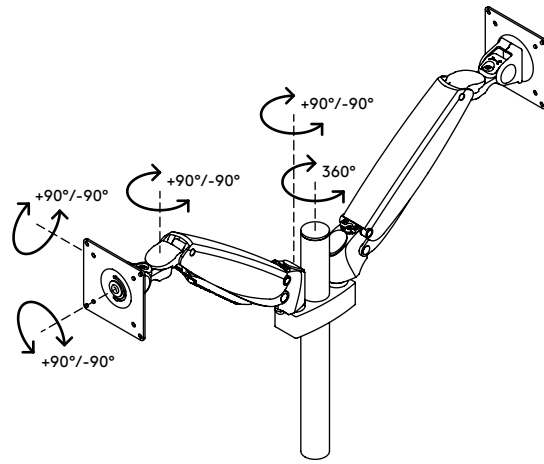
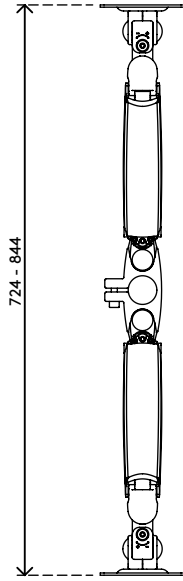
An efficient face-to-face workspace solution that uses minimum space to give you maximum functionality and can also be used with double monitors.

- Dynamic height adjustment range of 305 mm (12,0")
- Dependent depth adjustment
- Partly integrated or concealed cable management
- Main components made of aluminium
- VESA MIS-D 75 x 75/100 x 100 mm compatible
- Monitor: tilt +90°/-90°, swivel +90°/-90°, rotate +90°/-90°
- Arm: swivel +90°/-90°
- Weight capacity min. 4,5 - max. 10 kg (9,9 - 22 lb) per monitor
- Desk mount not included
- Monitor size limit: height 1094 mm (43,1")
- Ideal for face-to-face workstations
- Built-in SUSPA® gas spring
- Listed weight capacity will vary when mounting monitors that are deeper than 25 mm (1,0") or have an off-centre VESA mount position

dataflex

feeling at work

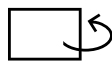
viewmaster



305 mm (12,0")



+90°/-90°



+90°/-90°



+90°/-90°



1094 mm (43,1")



75 x 75/100 x 100




(2x) 4,5 - 10 kg (9,9 - 22 lb)

Viewmaster monitor arm - desk 582


2020/10/06


57.582

 490 x 375 x 145 mm

 1 pcs

 silver

 5,51 kg

 805410575823