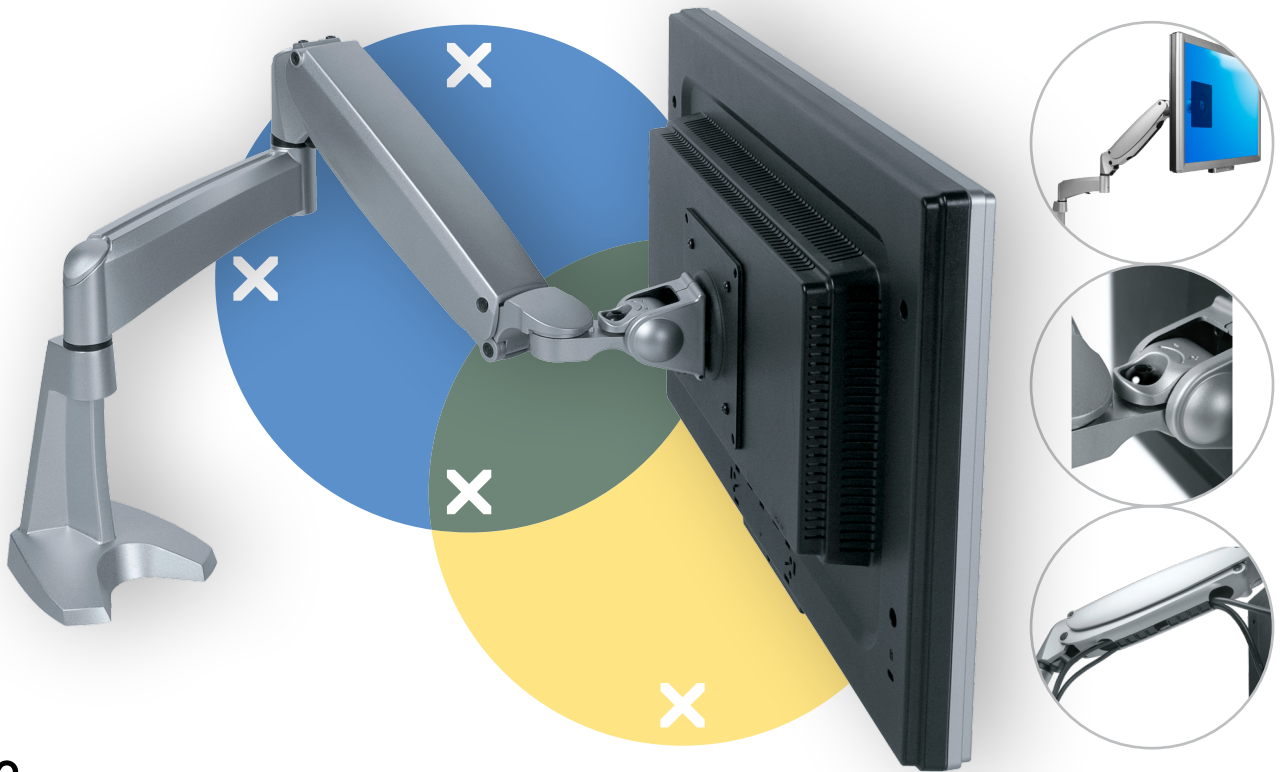


# viewmaster<sup>x</sup>



57.142

## Viewmaster monitor arm - desk 142

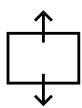
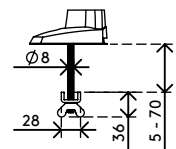
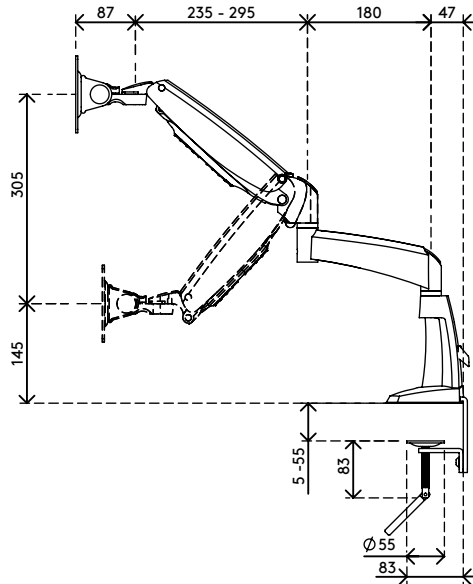
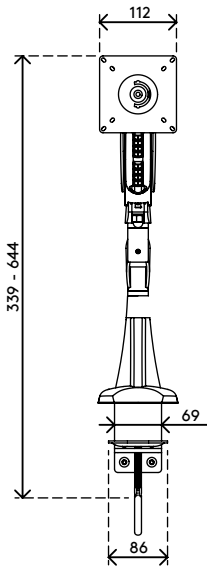
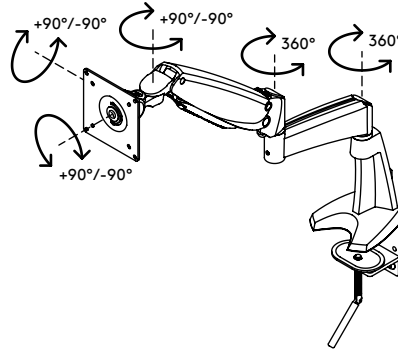
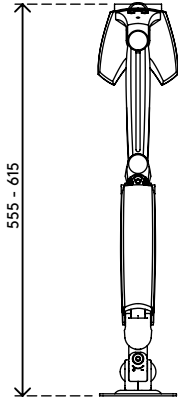
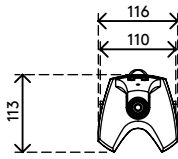
Dynamic height adjustment and independent depth adjustment let each user find their own optimal ergonomic position. A high-end design for lighter monitors, that guides cables along the arm's extensions to create a tidy, professional impression.

- Dynamic height adjustment range of 305 mm (12,0")
- Independent depth adjustment
- Partly integrated or concealed cable management
- Main components made of aluminium
- VESA MIS-D 75 x 75/100 x 100 mm compatible
- Monitor: tilt +90°/-90°, swivel +90°/-90°, rotate +90°/-90°
- Arm: swivel 360°
- Weight capacity min. 2,3 - max. 6,8 kg (5,1 - 15 lb) per monitor
- Comes with a desk clamp mount and bolt-through desk mount
- Suitable for a desktop thickness of 5 up to 55 (0,2" - 2,2") (clamp) or 70 mm (2,8") (bolt through)
- Monitor size limit: height 886 mm (34,9")
- Built-in SUSPA® gas spring
- Listed weight capacity will vary when mounting monitors that are deeper than 25 mm (1,0") or have an off-centre VESA mount position

**dataflex**<sup>x</sup>

feeling at work

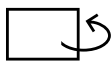
# viewmaster



305 mm (12,0")



+90°/-90°



+90°/-90°



+90°/-90°



886 mm (34,9")



75 x 75/100 x 100



2,3 - 6,8 kg (5,1 - 15 lb)

## Viewmaster monitor arm - desk 142

2020/10/06

# 57.142

 490 x 285 x 140 mm

 1 pcs

 silver

 4,84 kg

 805410571429