

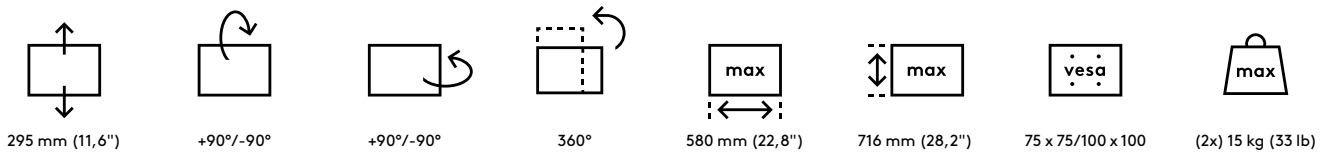
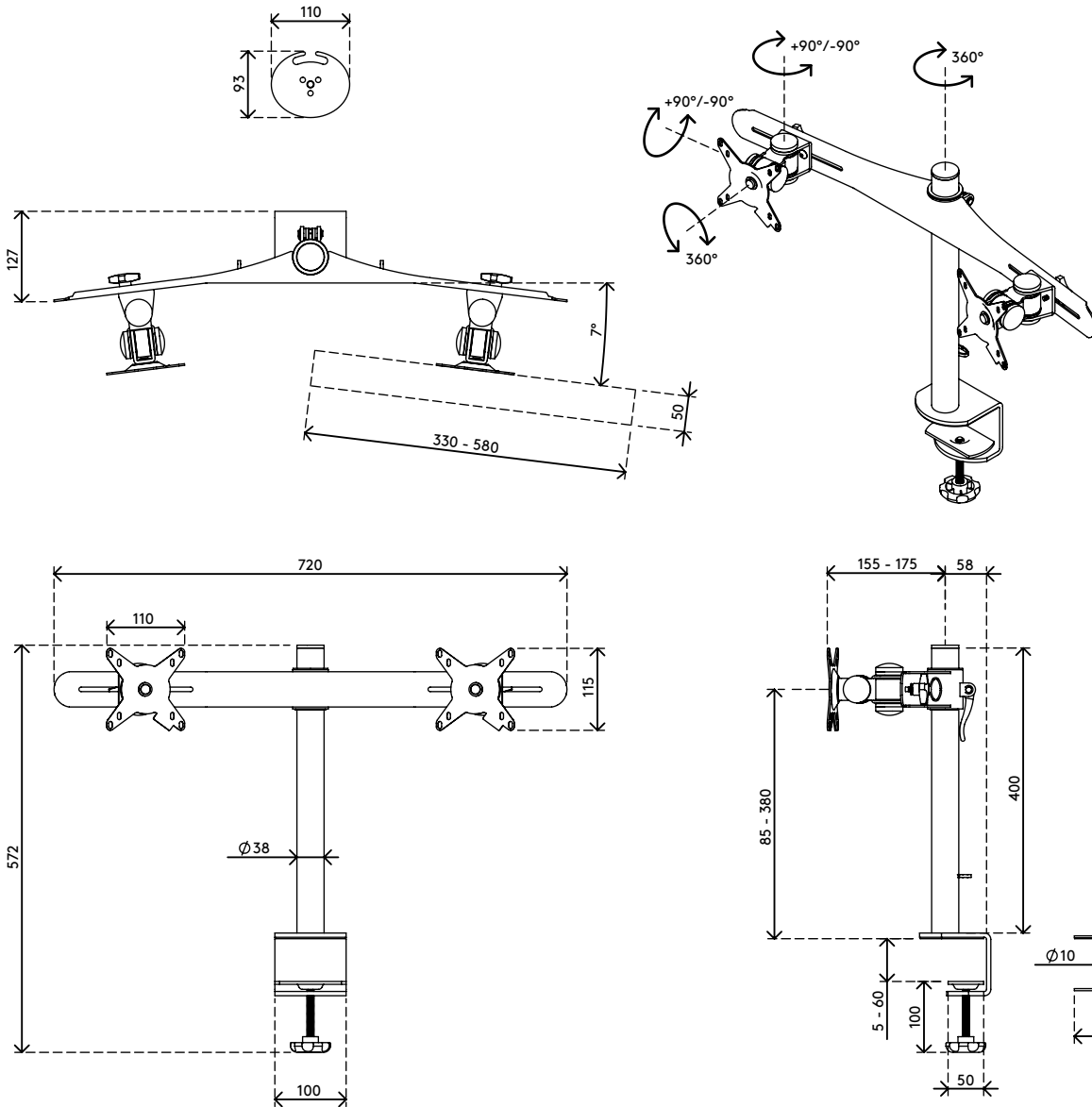
52.612

Viewmate monitor arm - desk 612

This version combines strength, practicality and usability in one package. The clamp lever lets you adjust the height of your dual monitor set-up with the greatest of ease. With integrated cable management at the back of the wing and pole, this product offers a practical and user friendly way to achieve a great and affordable dual monitor set-up.

- Static height adjustment range of 295 mm (11,6")
- Fixed depth
- Fitted with cable clips to guide cables tidily
- Main components made of steel
- VESA MIS-D 75 x 75/100 x 100 mm compatible
- Monitor: tilt +90°/-90°, swivel +90°/-90°, rotate 360°
- Weight capacity max. 15 kg (33 lb) per monitor
- Comes with a desk clamp mount and bolt-through desk mount
- Suitable for a desktop thickness of 5 up to 60 mm (0,2" - 2,4") (clamp) or 70 mm (2,8") (bolt through)
- Monitor size limit: width 580 mm (22,8") - height 716 mm (28,2")
- Easy to adjust in height using a clamp lever

viewmate



Viewmate monitor arm - desk 612


2019/06/20


52.612

 780 x 190 x 130 mm

 1 pcs

 silver

 6,1 kg

 805410526122